

# Official StarLine Partnership

## StarLine Track Busway



# STARLINE®

The Starline Busbar solution features 250, 400 and 800amp power load capacity. An additional key benefit is the flexibility in deployment of the Plug-In units to support growth and power capacity planning.

*Overhead Power Distribution. Made Simple. From 80A up to 800A*

*MPL is pleased to announce that we have an official partnership with StarLine (UECorp), which allows us to represent the brand in Spain and Portugal.*

*By incorporating this new range of StarLine products, MPL is able to offer the most complete solution for the distribution and the monitoring of power in the modern Data Centre.*

### Features

- Maintenance-free track busway design has been field-proven for decades.
- Available in 40, 50, 60, 100, 225, 250, 400 or 800 amp systems.
- Plug-in units can be positioned at any point along the busway for maximum versatility.
- Easiest installation of plug-in units—just insert and turn; no complicated mechanisms or levers.
- Complete customization of plug-in units for any environment.
- Available in lengths up to 20 ft. for faster installation.
- UL and ETL listed.
- Scalable and customisable lengths, sizes and configurations to meet your unique specifications.
- A variety of plug-in units and STARLINE's monitoring capabilities make us the preferred choice of data centres and mission critical facilities.

### Benefits

- The flexible, customisable and scalable busway system allows you to relocate power anywhere you need it, and at anytime without shutting down power.
- The unique, turn-n-lock connection method used for STARLINE plug-in units is the key to our busway's reliability.
- By inserting the plug head anywhere along the busway and rotating it 90 degrees, you get a constant, locked in, reliable connection – eliminating power interruptions caused by overheating or loss of connections.



Track Busway Module

### Real-time monitoring for peak efficiency

- Monitors are factory-built into STARLINE power feeds and plug-ins, providing a clean and seamless integration of monitoring with power distribution. STARLINE creates value for data centre power distribution systems by providing the critical information needed to optimise management and efficiency.
- Monitoring can be incorporated in either one or both of the following places: at a power feed, or directly into a plug-in unit. And real-time communication takes place through Ethernet (both SNMP and Modbus TCP), Modbus RTU, or an optional wireless network. Telnet, BACnet IP and Modbus TCP/IP are also standard protocols. A daisy-chain Ethernet option is also available.

# Official StarLine Partnership

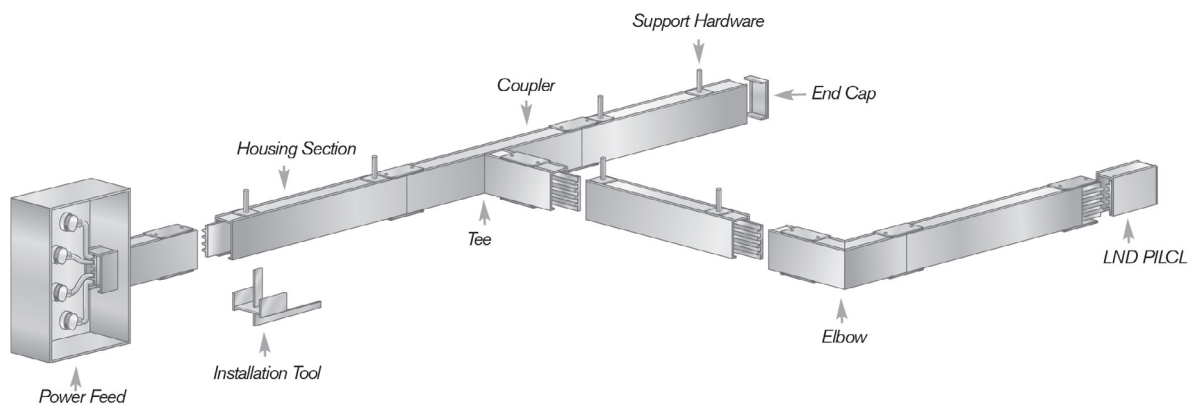
## StarLine Track Busway

### Technical Specifications

	Amps	Volts	Neutral	ISO ground	Size
GM100	100 A	415	100%	N	106mm x 60mm
GM100G	100 A	415	100%	Y	106mm x 60mm
GM100N	100 A	415	200%	N	106mm x 60mm
GM100NG	100 A	415	200%	Y	106mm x 60mm
GM225	225 A	415	100%	N	106mm x 60mm
GM225G	225 A	415	200%	Y	106mm x 60mm
GM250T5	250 A	415	100%	N	128mm x 108mm
GM250T5G	250 A	415	100%	Y	128mm x 108mm
GM250T5N	250 A	415	173%	N	128mm x 108mm
GM250T5NG	250 A	415	173%	Y	128mm x 108mm
GM400T5	400 A	415	100%	N	128mm x 145mm
GM400T5G	400 A	415	100%	Y	128mm x 145mm
GM400T5N	400 A	415	150%	N	128mm x 145mm
GM400T5NG	400 A	415	150%	Y	128mm x 145mm
GM800T5CAS	800 A	415	100%	N	128mm x 163mm
GM800T5CAGS	800 A	415	100%	Y	128mm x 163mm
GM800T5CCS	800 A	415	100%	N	128mm x 163mm
GM800T5CCGS	800 A	415	100%	Y	128mm x 163mm

T5 Tap offs interchangeable

CC = copper copper, CA = composite copper aluminium, G = iso ground, N = oversize neutral (see table for oversize value), S = access shutters provided every 254mm. 600V must be specified



Track Busway Installation Layout

# Official StarLine Partnership

## StarLine Track Busway

### Critical Power Monitoring (CPM) Features



Measured Values	Real-Time	Total	Average	Max	Min
Feed Voltage L-N	●		●		
Feed Voltage L-L	●		●	●	●
Feed Line Currents	●		●	●	●
Feed Watts	●	●		●	
Feed VAR	●	●			
Feed VA	●	●			
Feed +/- Watt – hr.	●	●			
Feed Power Factor	●	●			
Outlet Line Currents	●			●	●
Outlet Watts	●	●		●	
Outlet VAR	●	●			
Outlet VA	●	●			
Outlet +/- Watt – hr.	●	●			
Outlet Power Factor	●	●			
Frequency	●				

STARLINE's CPM is part of the STARLINE Track Busway System, and is uniquely designed to provide the functionality required for busway applications leveraging innovative "Plug & Play" topology.

The STARLINE CPM is calibrated to meet ANSI Revenue Grade Standards for power usage, and a variety of communications interfaces facilitate seamless integration with BMS and DCIM packages.